



1" PITCH LOW BACK-LINE PRESSURE BELT - LBP 1600 SERIES

1" Pitch LBP belt for accumulation applications

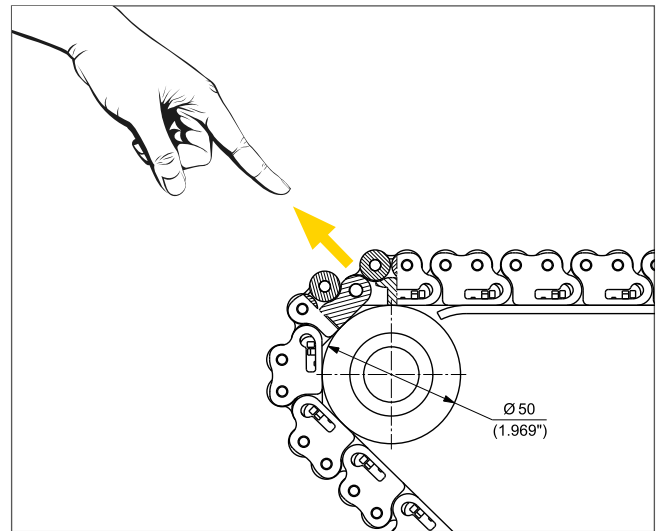
Regina MATVEYOR® LBP 1600 series is specifically developed for product accumulation where a combination of high performance, maximum safety and energy saving are required. Regina MATVEYOR® LBP 1600 series is ideal to convey multi-packs, cases and cartons with heavy loads.



KEY FEATURES & BENEFITS

MAXIMIZED SAFETY

The low rollers centerlines of Regina MATVEYOR® LBP 1600 minimizes gaps and facilitates the **ejection of trapped objects**. This maximizes belt safety during operation.

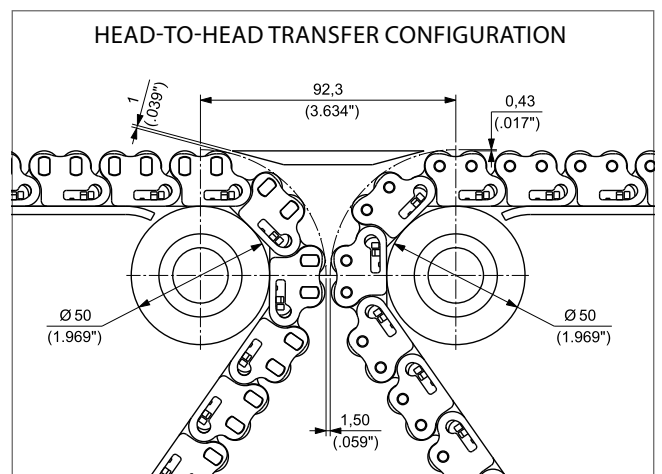


REDUCED WEIGHT AND ENERGY SAVINGS

Equipped with plastic axels instead of steel ones, Regina MATVEYOR® LBP 1600 **weights 34% less than traditional LBP heavy duty belts**, allowing for significant energy savings.

NUMBER OF DRIVES REDUCTION

The improved hinge design of Regina MATVEYOR® LBP 1600 allows for a working load of 34.000 N/m (2,330 lbs/ft), significantly higher vs. other belts available on the market for similar applications. This results in the **possibility to build considerably longer conveyors with one belt**, thus reducing the number of drives.



NOISE AND VIBRATION MINIMIZATION

The distribution of the roller supports across the belt width and the flat bottom allow the belt to run sharply, **thus reducing noise and vibration**.

VERY LOW BACKLINE PRESSURE

Regina MATVEYOR® LBP 1600 features specially designed rollers, with maximized ratio between external and internal diameters, allowing for a very smooth rotation. This special roller geometry, combined with Ultra Performance Homopolymer Delrin® (UP) roller material rotating on PBT axels, **results in a very low backline pressure**.



1" PITCH LOW BACK-LINE PRESSURE BELT - LBP 1600 SERIES

12,7 mm (0.5") THICKNESS

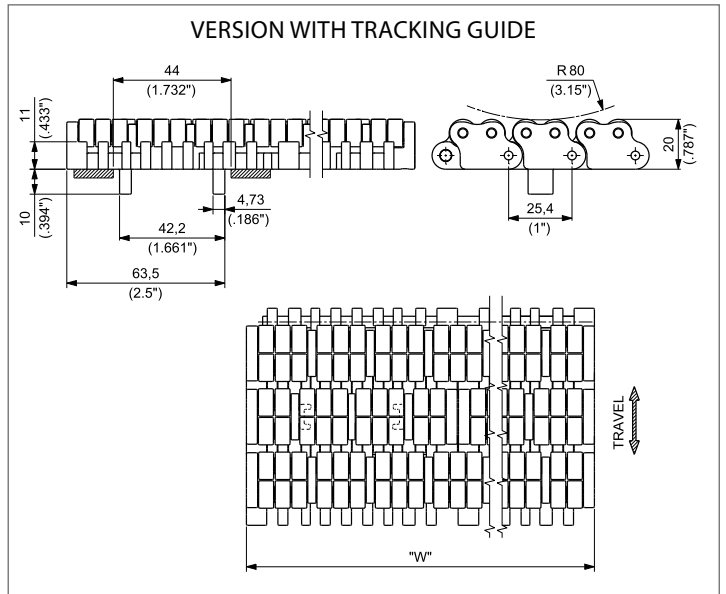
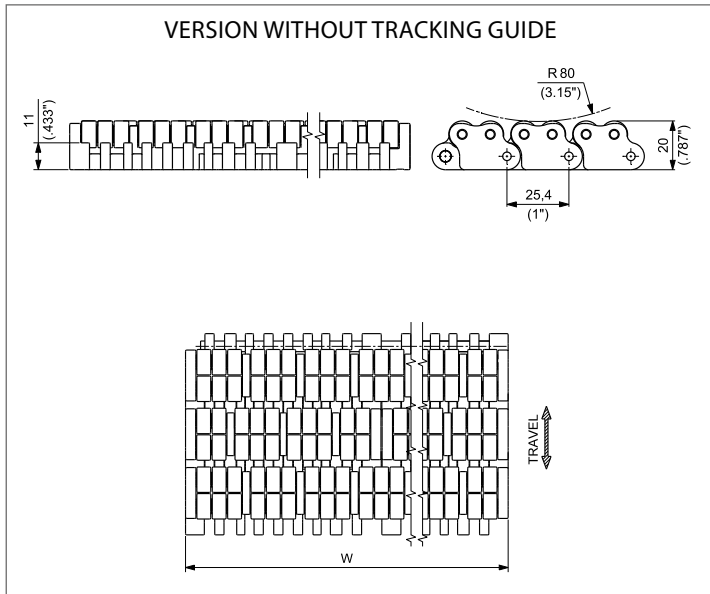
LBP ROLLERS

SAFETY DESIGN

METRIC STANDARD

Designed for product accumulation applications where a combination of high performance, maximum safety and energy saving are required. Its LBP rollers allow for pressure reduction among accumulated products and for belt pull reduction.

- BELT WIDTHS: 85 mm (3.346") or wider in 85 mm (3.346") increments
- WORKING LOAD (at 25°C/77°F): 34.000 N/m (2,330 lbs/ft)
- BELT WEIGHT: 19,4 kg/m² (3.97 lbs/ft²)
- SPROCKETS: same used for other Regina 1" pitch heavy duty belts USP/USPM series



WIDTH W		MATERIALS		
		Module and Roller		Pin
		UP ULTRA PERFORMANCE HOMOPOLYMER DELRIN®		PBT
		PART NUMBER		
		WITHOUT TRACKING GUIDE	WITH TRACKING GUIDE	
mm	inch			
85	3.35	LBP1600AUP0085	LBP1600AGUP0085	
170	6.69	LBP1600AUP0170	LBP1600AG1UP0170	
255	10.04	LBP1600AUP0255	LBP1600AG1UP0255	
340	13.39	LBP1600AUP0340	LBP1600AG1UP0340	
425	16.73	LBP1600AUP0425	LBP1600AG1UP0425	
510	20.08	LBP1600AUP0510	LBP1600AG1UP0510	
595	23.43	LBP1600AUP0595	LBP1600AG1UP0595	
680	26.77	LBP1600AUP0680	LBP1600AG1UP0680	
765	30.12	LBP1600AUP0765	LBP1600AG1UP0765	
850	33.46	LBP1600AUP0850	LBP1600AG1UP0850	
935	36.81	LBP1600AUP0935	LBP1600AG1UP0935	
1020	40.16	LBP1600AUP1020	LBP1600AG1UP1020	

Belts wider than 1020 mm (40.16") are available in 85 mm (3.35") increments.
To identify the Part Numbers, please substitute the last four digits of the PN with the desired width.
Example: for a 1105 mm wide belt (=1020+85 mm) without guide, the PN is "LBP1600AUP1105".

Standard packaging:
Belt widths ≤ 425 mm (16.73") are supplied in rolls of 1,524 m (5 ft) each.
Belt widths ≥ 510 mm (20.09") and ≤ 935 (36.81") are supplied in rolls of 1,016 m (3.33 ft) each.
Belt widths ≥ 1020 mm (40.16") are supplied in the length requested by the customer.